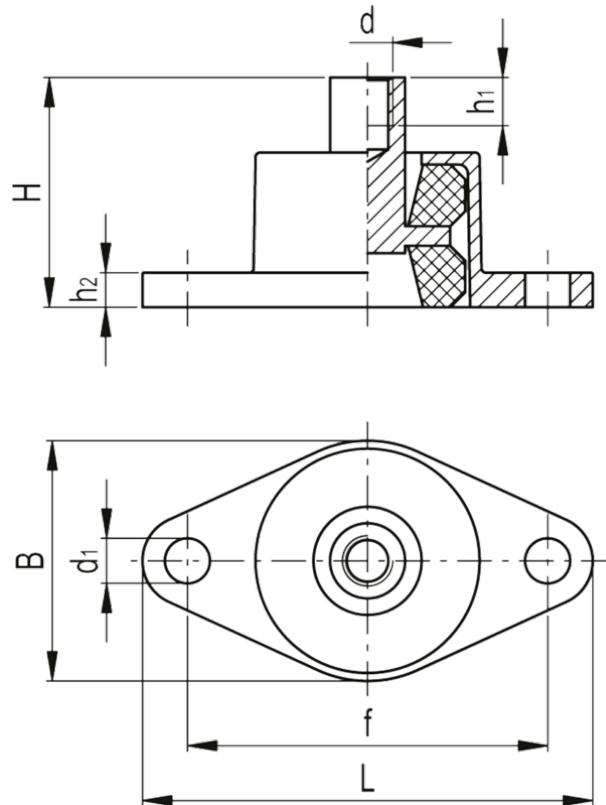


Article number: 2309480183

Description: E+G Flange vibration damper AVG-50

Measures



ϕ = 3	h_2	= 10
ϕ = 6.5	L	= 150
B = 80	Max. load	= 4500
d = M16	Min load	= 1200
d_1 = 15	Shore A	= 50
f = 120	Weight in (g)	= 650
H = 75		
h_1 = 16		